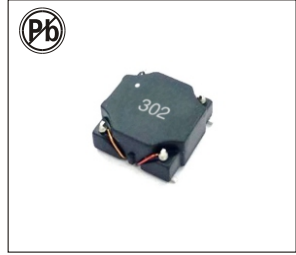


# COMMON MODE POWER LINE CHOKE

## STC06A SERIES



### FEATURES:

- Common mode chokes for AC power lines
- High impedance to minimize common mode noise
- Excellent EMI performance
- Meets UL94V-0 flammability standard

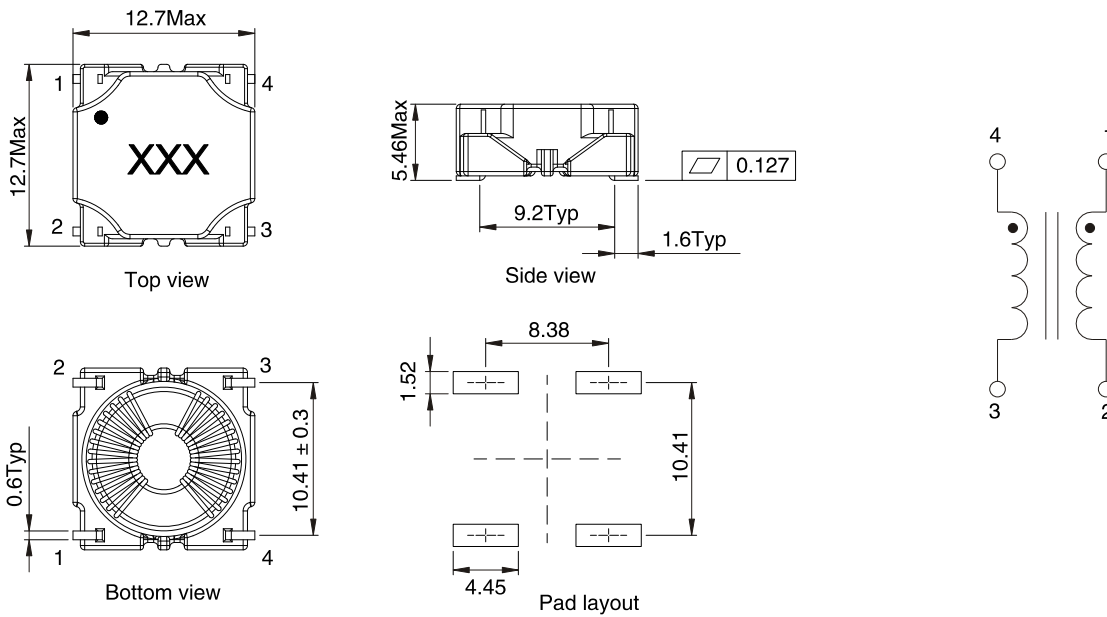
### APPLICATIONS:

- EMI filters
- DC-DC brick power supplies
- Discrete output supplies
- Discrete and point-of-use power supplies

## ELECTRICAL CHARACTERISTICS:

Part Number	L(0A) (uH) ± 35% 100KHz,0.1V	DCR (mΩ)Max	IDC (A)Max	Hi-Pot (Vdc) 50Hz,1mA,1S
STC06A-881Y	880	110	1.63	1000
STC06A-112Y	1170	200	1.22	1000
STC06A-302Y	3000	280	0.85	1000
STC06A-392Y	3900	350	0.85	1000
STC06A-682Y	6800	700	0.3	1000

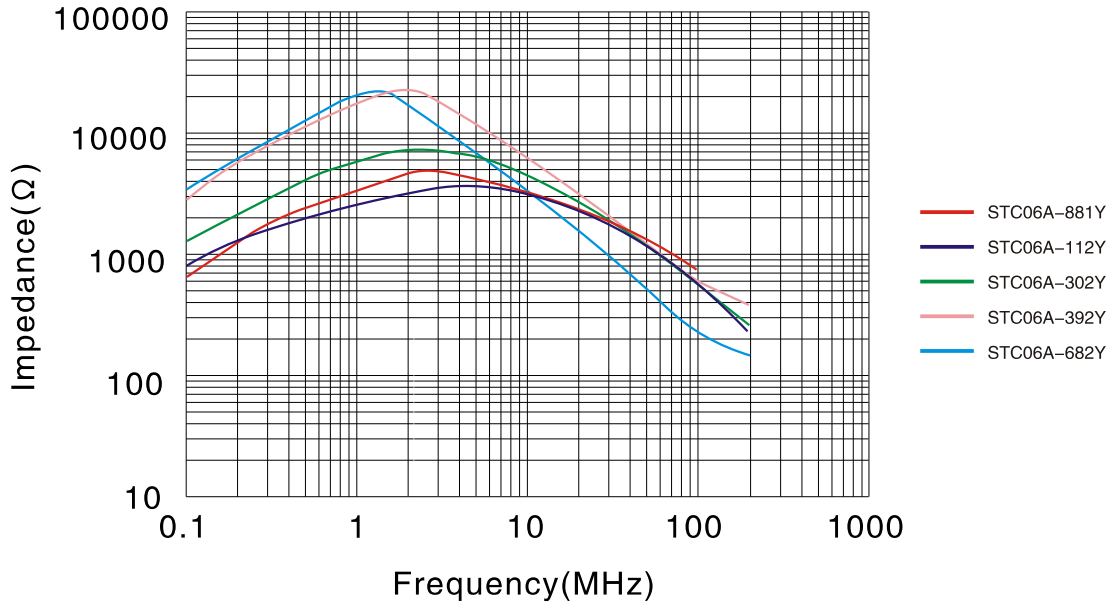
## PHYSICAL CHARACTERISTICS



### NOTES:

- Temperature Rise .....40°C typical at IDC
- Operating Temperature .....-40°C to +125°C(Including self temperature rise)
- Storage Temperature .....-40°C to +125°C
- Soldering .....245°C, 5 seconds max
- Dielectric Strength .....1000 Vrms between windings

### IMPEDANCE COMMON MODE



### IMPEDANCE DIFFERENTIAL MODE

